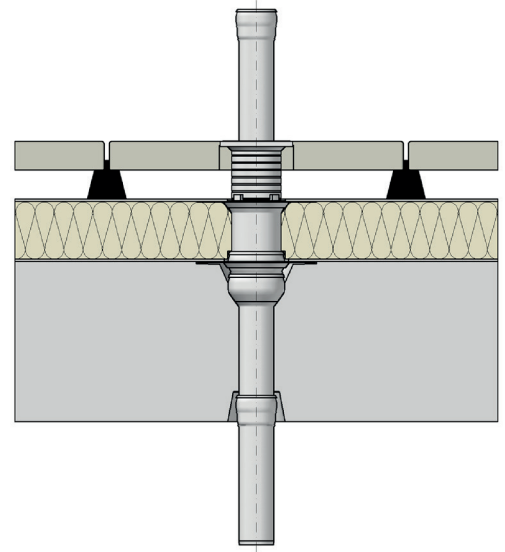
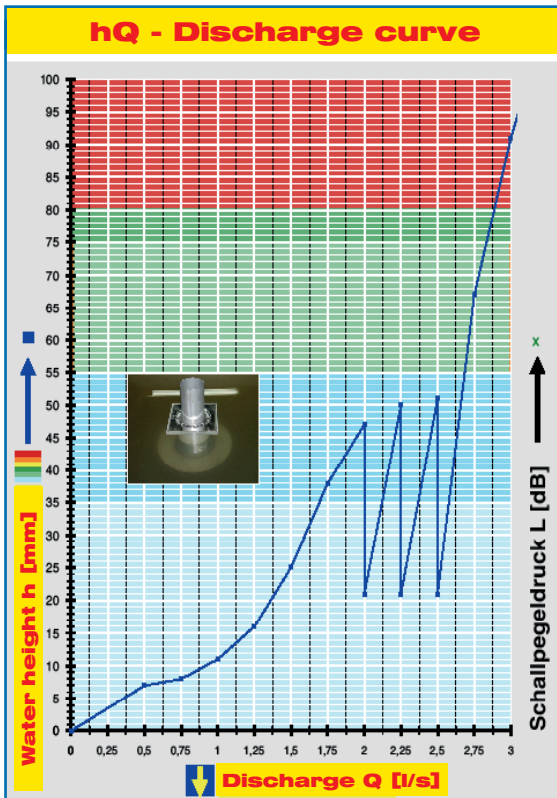
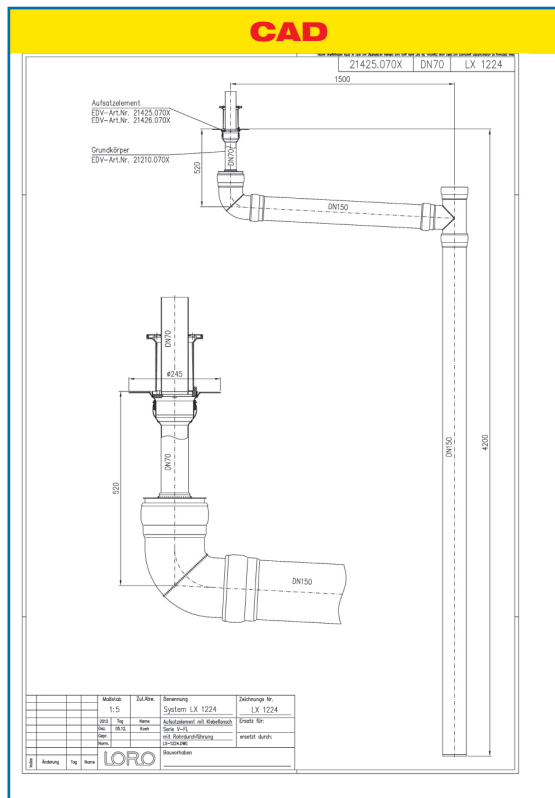


Specification Sheet LX 1224
**Balcony Drainage
Balcony Drain Series V-FL**

Main drainage	
Gravity flow	
Silent	
Discharge:	1.7 l/s
Water height:	35 mm
Roof penetration:	-
Diameter:	DN 70
LX-Number:	LX 1224
Weir height:	0 mm
Drain:	ventilated
Downpipe:	not ventilated
Downpipe height:	2.75 m
Drainage:	into ground pipe


LX 1224 Piece list

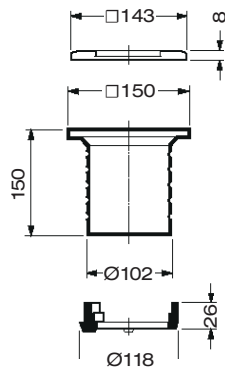
Please choose set up elements and extension cartridge on page 2!


System power

System shape

Water height	mm	10	15	20	25	30	35	40	45	50	55	60	65	70	75	
Discharge	l/s	0,85	1,20	1,30	1,50	1,70	1,70	1,80	1,90	2,25	2,65	2,70	2,75	2,75	2,80	
		Silent														

Please choose suitable set up elements and extension unit!

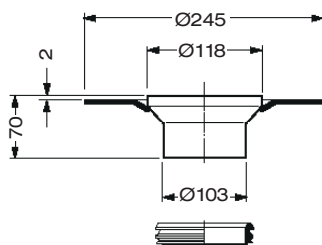
DN 70



Strainer unit

consisting of: strainer quadratic, **with** pipe penetration, strainer support 150 mm x 150 mm, height-adjustable, drainage ring

Art.-No. 20423.070X
Weight: 0.44 kg



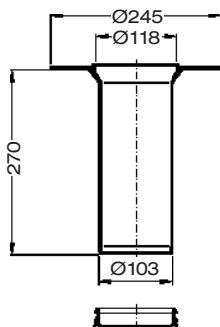
one-piece version

LX1224-12X

Set up element, Series V-FL

with bonding flange, for sealing with liquid plastic, made of stainless steel

Drain Art.-No. 20420.070X
Weight: 1.05 kg



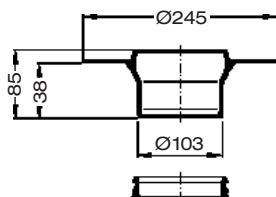
two-piece version

LX1224-13X

Extension unit

for thermally insulated balconies, **Series V-FL** with bonding flange, for sealing with liquid plastic, consisting of: extension unit with bonding flange, sealing element DN 100

Art.-No. 20425.070X
Weight: 1.8 kg



Set up element with socket

for thermally insulated balconies, **Series V-FL** with bonding flange, for sealing with liquid plastic

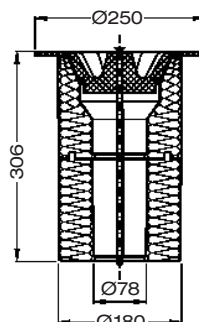
Art.-No. 20426.070X
Weight: 1.0 kg



Base unit

Art.-No. 21400.070X
consisting of:

- 1 **Formwork mushroom**
Art.-No. 18110.070X
- 2 **Base body**
Art.-No. 21210.070X
- 3 **Formwork dome**
Art.-No. 18100.070X



Thermal insulation base unit

consisting of: formwork mushroom, thermal insulation body and fastening screw

Art.-No. 21401.070X
Weight: 0.7 kg

Attention:
The base body 21210.070X has to be ordered separately!